



## Toggle Anchor

### MTV

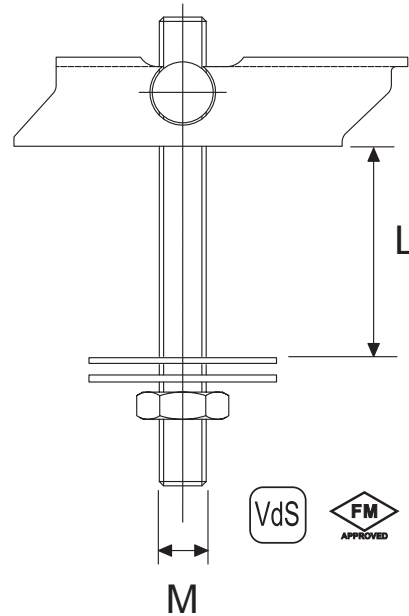
# Pipe Support

#### Technical Features

- **Sizes:** Heavy Duty M8\* and M10\*\*
- **Material :** Carbon steel
- **Finish :** Electro Zinc Plated
- **Specification :** With Counter Nut and Large Washer.

\* VdS Approved

\*\* VdS/FM Approved



#### Toggle Anchor

#### Physical Data

Reference	Approvals	Screw Size (M)	Length (L)	Box Qty.	Weight (x1) (kg / lbs)
584465	VdS	M8	100	25	0,161 / 0.35
584455	VdS/FM	M10	100	25	0,161 / 0.35